

Acoustic Detection And Monitoring System



www.kocsavunma.com.tr





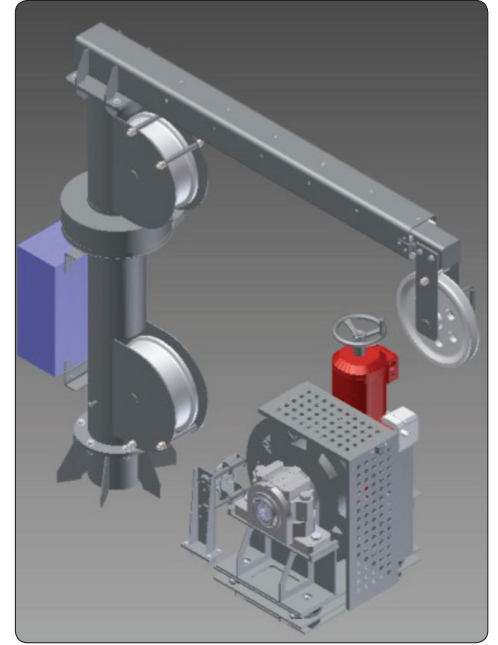
Acoustic Detection and Monitoring System detects emergency sonar beacon signals of submarines.

Acoustic Detection and Monitoring System detects emergency sonar beacon signals of submarines. With its Acoustic Head, AİYS listens to the acoustic signals in the sea in order to detect bearings of the submarines that transmit emergency calls. Received signals are transferred to a computer on the search and rescue ship and analyzed by the signal processing algorithms for evaluating the presence of "acoustic ping". In case of a ping detection the computer calculates and displays the bearing information to the user.

Technical Specs	
Working Voltage	220VAC +- %5 50Hz +- %2
Maximum Power Consumption	50W
Detection, Localization and Monitoring Computer	<ul style="list-style-type: none">• Rugged, portable laptop• Battery powered
Detection, Localization and Monitoring Software	<ul style="list-style-type: none">• User friendly• Digital map support• High accuracy ($\pm 2^\circ$ bearing error)
Acoustic Head (AB)	<ul style="list-style-type: none">• Maximum operational depth: 50m• Detectable frequency range: 5kHz-45kHz• Detection range: 10m-9000m• Hydrophone array: 360°, omnidirectional• Impact proof structure• Special container for transportation and storage
Environmental	<ul style="list-style-type: none">• Operational up to Sea state 3• TKİB⁽¹⁾ Operating Temperature: -20C° - 50C°• AB⁽²⁾ Operating Temperature: 0C° - +35C°• Storage Temperature: -40 C° - +70 C°• EMC/EMI Compliance: MIL-STD 461E (RE101, RE102, CE102, RS103, CS101, CS114, CS116, RS101)• Humidity: MIL-STD-810G, %95 RH• MIL-STD-810G, dust, rain and sand proof• MIL-STD-810G, Sea salt proof• MIL-STD-810G, Frost proof
Additional	<ul style="list-style-type: none">• Online / Offline operation modes• Built-in health checks• Recording ability for replay
Interfaces	<ul style="list-style-type: none">• SATEL Interface• Ship Information Distribution System Interface• Ship Control and Monitoring System Interface

(1) TKİB: Detection, Localization and Monitoring Computer

(2) AB: Acoustic Head



Üniversiteler Mah. İhsan
Doğramacı Bulvarı No:17/B 06800
ODTÜ Kampüsü-Ankara/ TÜRKİYE

Ünalan Mah. Ayazma Cad.
Çamlıca İş Merkezi B3 Blok 34700
Üsküdar İstanbul/ TÜRKİYE

Tel +90 (312) 218 89 00
Faks +90 (312) 218 89 90

Tel +90 (216) 556 11 00
Faks +90 (216) 556 11 88

info@kocsavunma.com.tr

www.kocsavunma.com.tr

 **Koç**
Koç Bilgi ve Savunma Teknolojileri A.Ş.